

EBERLE

Flush mounted digital clock thermostat for floor heating application FRe 52512/14



- Controller for electrical floorheating and floorheating systems
- Temperature set-back to 15 °C resp. 19 °C activated with a built-in clock with weekly (4)/ daily programme (6), manual mode, holiday timer
- easy to use, only one button for each function
- Temperature range 10 to 50 °C (floor temperature)
- Display: controller calls for heat temperature set-back
- ON/OFF-switch
- Plug-in terminal
- Sensor with fail save control, according to DIN 44574 or Eberle Standard
- Conduit box mounting 60 mm
- Temperature limiter included in the knob

Technical Data:

Model No.	FRe 525 12	FRe 525 14
EDP. no. (sensor incl.)	0525 12 141 500	0525 14 141 500
Operating voltage	AC 195 253 V 50Hz	
Temperature range (digits)	* ... 5 (= 10 to 50 °C)	
Range limiter	in knob	
Set-back temperature (for floor)	15 °C fixed resp. 19 °C (reversible by link)	
Output	Relay (normally open)	
Switching current 250V AC	10 A $\cos \varphi = 1$, 4 A $\cos \varphi = 0,6$	
Indicators	LED red LED green LED orange	calling for heat set-back operation calling for heat at set-back operation
Switching differential	approx. 1 K	
Switch	electronic, single-pole off	
Protection class of housing	IP 30	
Type of protection	II	
Operating temperature	- 25 to +40 °C	
Storage temperature	- 25 to +70 °C	
Color of housing	white similar to RAL 9010	
Weight	approx. 75g	

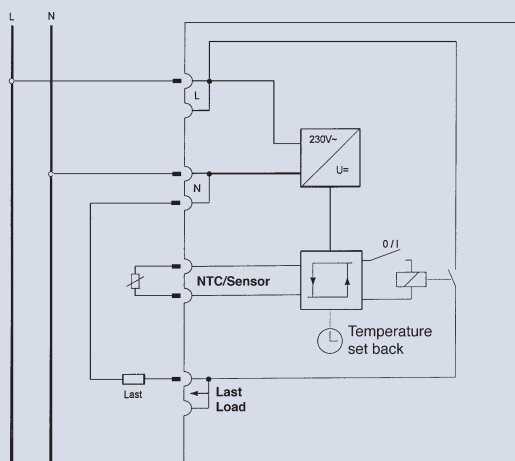
Technical data of the sensor:

	Eberle-Standard	according to DIN 44574
Model No.	F 193 720	F 193 774
Sensor system	NTC	NTC
Sensor cable	PVC 2x 0,75 mm, length 4 m	PVC 2x 0,75 mm, length 4 m
Protection class	IP 68	IP 54
Operating temperature	- 20 to +70 °C	- 20 to +70 °C

Clock features:

Features:	weekly programme with 4-, daily programme with 6 ON/OFF times, block diagram, manual mode (ON/OFF constant or to the next switching time), holiday timer (set back temp.) for 1 to 45 days, simple summer/ wintertime switch
Display	time, week day, operation
Clock accuracy	< ± 1 Sec./day at 20 °C
Power reserve	3 hours
Minimum switching time	1 min

Wiring diagram:



Dimensions:

