

Parameter Table

Serial No.	Definition & Function	Default Value	Unit	Explanation
P01	Communication ID	01		The Unit No. in the Central Control System
P02	Temp Measure Offset	50	0.1°C	Calibrate The Room Temp
P03	Upper Setpoint Limit	35	1°C	Room Temp Up & Down Range
P04	Lower Setpoint Limit	5	1°C	
P05	Frost Protection Temp	05	1°C	Room Temp Lower Limit
P06	Beep On/Off	01		00=Disabled,01=Enabled
P07	Backlight On/Off	01		00=Disabled,01=Enabled
P08	Keypad Lock	01		01=All the Keypad are locked 02=Only Power key is enabled
P09	Floor Protection Temp	65	1°C	Floor Temp Higher Limit
P10	Frost Protection On/Off	00		00=Disabled,01=Enabled
P11	Programme Events Number	00		00=4,01=6
P12	Time Format	00		00=24 Hour,01=12 Hour

Parameter Setting

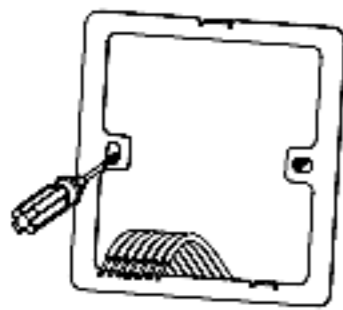
Power-Off Status, long press "⏸" and "⏪" together for 5 Secs. to access the above parameter table, short press "⏪", "⏩" or "⏸" to adjust the target parameter value.

Factory Reset

Power-Off Status, Firstly long press "⏸" and "⏪" together for 5 Secs., Secondly long press "⏪" for 5 Secs. to restore the Factory Setting.

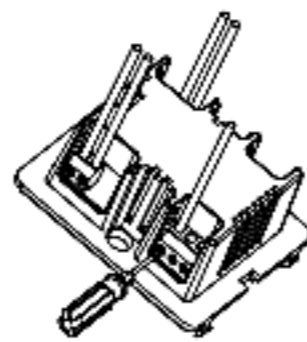
Installation Guidance

1.



Fix the installation-board on the wall and tighten the screw

2.



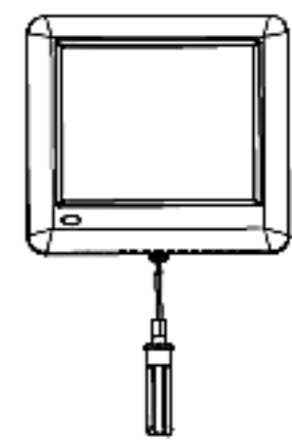
Do the unit wiring connection refer to the unit back label

3.

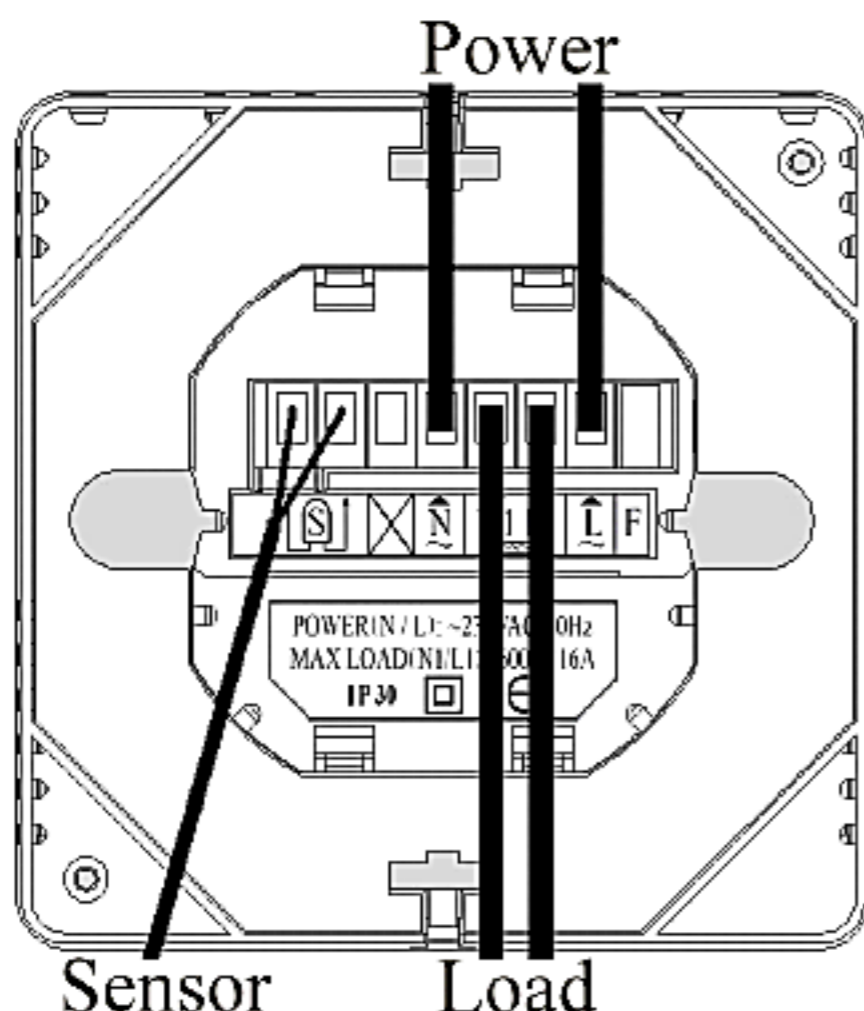


Hang up the thermostat on the installation-board as showing

4.



Tighten the top and bottom screw, the installation is OK



Floor Probe Information:

- a. The length is 3m and can be extended if need.
- b. The sensor head type is the NTC10KΩ@25°C.
- c. The floor probe could be replaced by other brand probe if the type is also the NTC10KΩ@25°C.

Unit Packing List(280g):

- a. Thermostat×1
- b. User Manual×1
- c. Floor Probe×1
- d. Fixing Screw×2