

Weekly circulation digital programming thermostat with LCD screen, which has 6-event everyday. Manual mode and programme mode could be selected. The thermostat is recommended for control of electric heating devices or on/off valve actuator used in hydronic floor heating.

Selection Table:

Model	Current	Application
51.713	3A	Built-in & floor sensor, floor limit sensor, weekly programming
51.723	3A	Built-in & floor sensor, floor limit sensor, weekly programming. A potential-free output
UTR 51.716	16A	Built-in & floor sensor, floor limit sensor, weekly programming

Parameter:

Voltage: 220V/230V

Power consumption: 2W

Setting range: 5~90°C (can adjust to 35-90°C)

External limitation: 5...60°C (factor setting: 35°C)

Switch differential: 0.5-10°C adjustable
factory setting: ±1°C

Ambient temperature: -5~50°C

Protective housing: IP20

Housing material: anti-flammable PC

User operation:

- 1) "⏻" Power on/off.
- 2) At clock-controlled programme mode, press "▲" or "▼" enter temporary control.
- 3) UP "▲", DOWN "▼" to adjust the temperature
- 4) Press menu "☰" & UP "▲" for 5 seconds, then enter clock set, choose modified item by pressing menu "☰", press UP/DOWN "▲▼" to modify the date and clock, then switch off to quit.
- 5) Press menu "☰" to choose manual mode or programme mode.
- 6) set temperature and clock display alternately, room temperature can be read out directly.
- 7) press both "▲" "▼" for five seconds to engage/disengage key-lock function key-lock on shows "🔒"
("🔒" this symbol disappear shows unlock)

Function:

- Manual mode
- Clock-controlled programme mode
- Heating on
- Wake-up, event 1
- Leave(am), event 2
- Return(am), event 3
- Leave(pm), event 4
- Return(pm), event 5
- Sleep, event 6

Programming:

Press Menu key for 5 seconds to start programming

Key	Event	Symbol	Time	Modify	Temp.	Modify
	Day 1-5	1	06: 00	Event time ▲ ▼	20°C	Temperature ▲ ▼
		2	08: 00		15°C	
		3	11: 30		15°C	
		4	12: 30		15°C	
		5	17: 00		22°C	
		6	22: 00		15°C	
	Day 6-7	1	08: 00		22°C	
		2	23: 00		15°C	

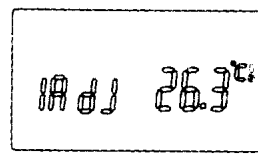
You can download the modify flash in our website (www.menred.com)

Advanced setting (qualified person preferred):

Usually finished at mounting thermostat.

Press key simultaneously pressing power on key

When in power off state.

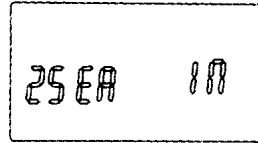


1ADJ: Temperature calibration

Press ▲ or ▼ key to adjust present checked value

Adjustable scale: ±9.9°C

Re-press menu key to enter to next step.



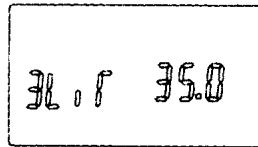
2SEN: Sensor mode

Press ▲ or ▼ key to choose sensor

IN: built-in, OUT: floor sensor, ALL: both

Sensors, floor sensor is the limit sensor

Re-press menu key to enter to next step.

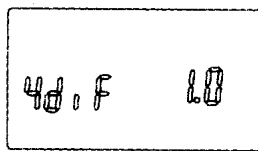


3LIT: Modify limitation value

Press ▲ or ▼ key to modify the temp. Limit value

Limitation range: 5~60°C

Re-press menu key to enter to next step.

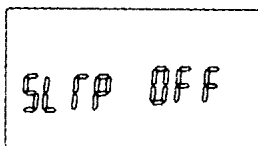


4DIF: switch differential setting

Press ▲ or ▼ key to change switch differential

Setting range: 0.5~10°C.

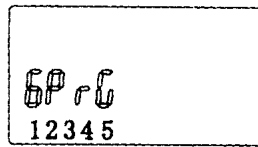
Re-press menu key to enter to next step.



5LTP: Start anti-frozen function in power off

Press ▲ or ▼ key to change the current anti-frozen function

Re-press menu key to enter to next step.



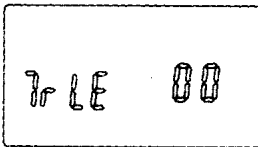
6PRG: set day off mode

Press ▲ or ▼ to choose day off

5/2 day mode, 6/1 day mode,

7 day mode and quit

Re-press menu key to enter to next step.



7RLE: Potential-free output and main power output in same/different way.

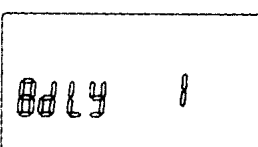
Press ▲ or ▼ key to change the current linkage state.

00: in same way, 01: in different way.

02: in Primary and secondary reverse.

03: in Main and auxiliary reverse, do not turn off and antifreeze, to stop output.

Re-press menu key to enter to next step.

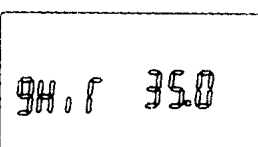


8DLY: Delay time of potential-free output

Press ▲ or ▼ key to change linkage delay time

Range: 0-5min.

Re-press menu key to enter to next step.

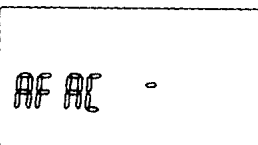


9HIT: Max. Temperature setting

Press ▲ or ▼ key to change the Max. value

Range: 35-90°C

Re-press menu key to enter to next step.



AFAC: Reset to factory setting

Press ▲ key for 5 seconds till showing ---

Reset to factory setting

Switch off for saving

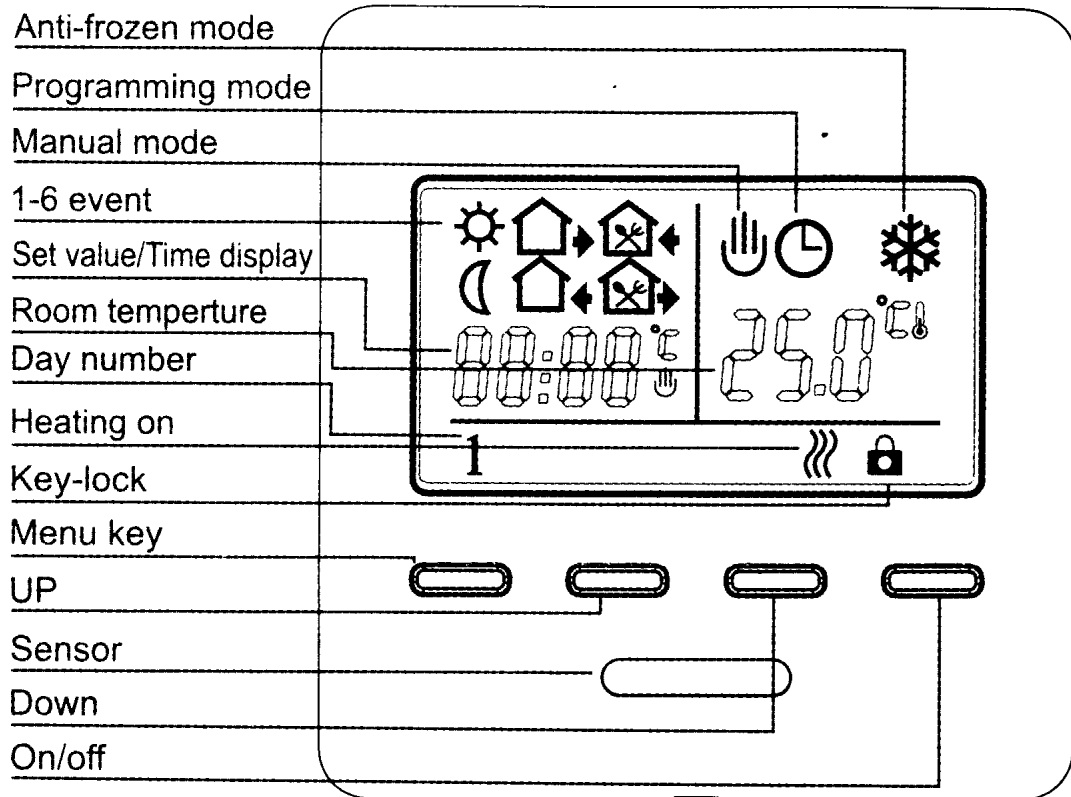
Sensor Failure

E0: Built-in sensor short-circuited or disconnected.

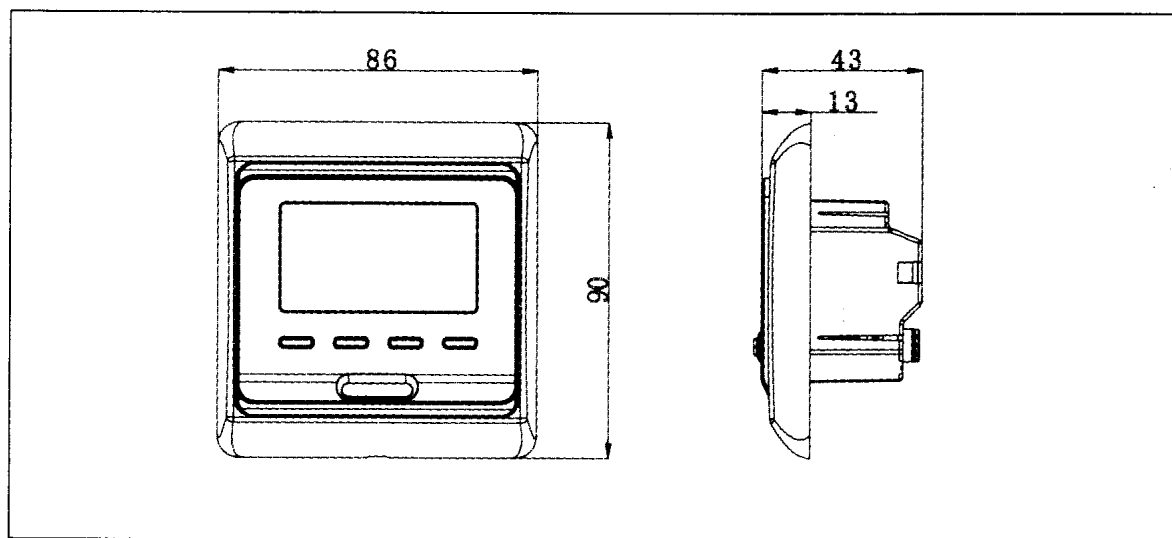
E1: External sensor short-circuited or disconnected.

When shows E0/E1 error, thermostat must be checked till the error is eliminated

Display symbols

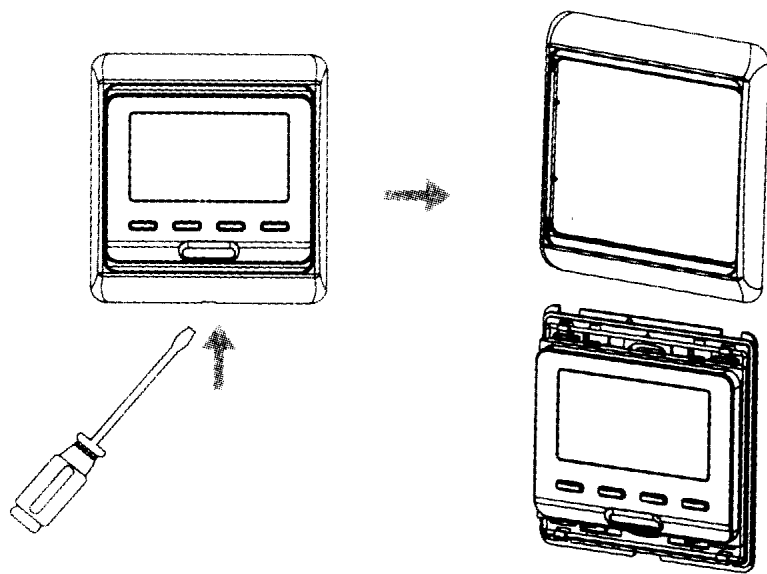


Dimension:mm

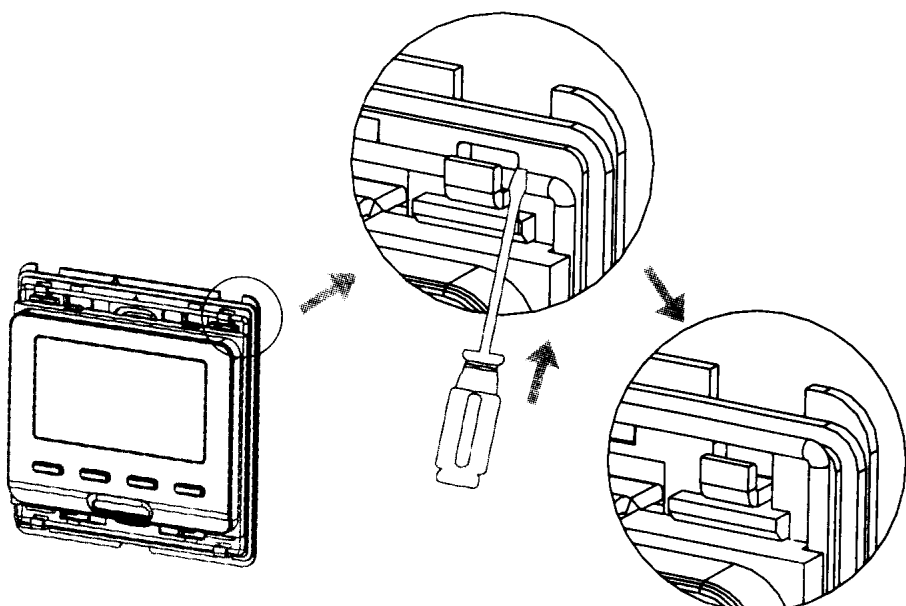


Mounting steps:

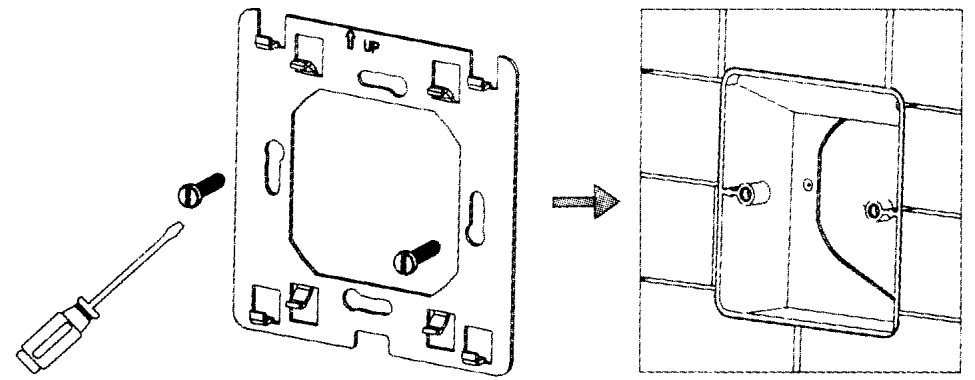
1 Release the front cover by inserting a screwdriver into bottom crack.



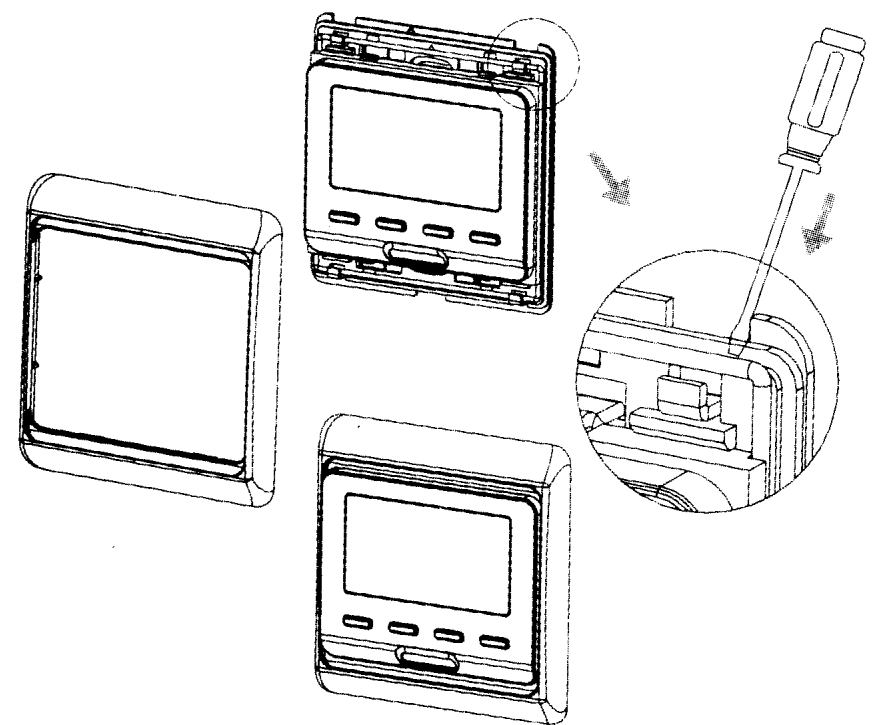
2 Take the backing plate apart according to the following diagram.



3 Mounted the backing plate in the wall socket by screwdriver.



4 After connect wires(see right diagram),the thermostat mounte on the backing plate and remounted the cover and frame.



Connecting Diagram

Attention:
The thermostat which connect the electric heating device is apply to full load(3200W) heating cable in 2500m height above sea level,and the rated power of external load should be less than or equal to 80%rated power thermostat when in the 2500m to 4200m height.

