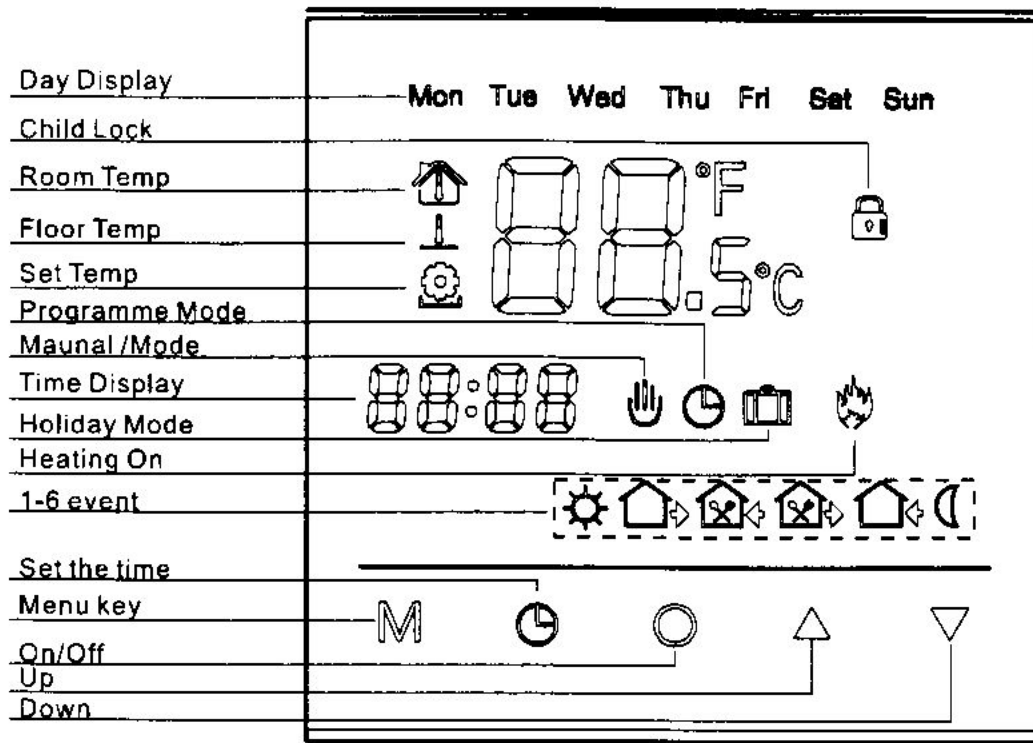
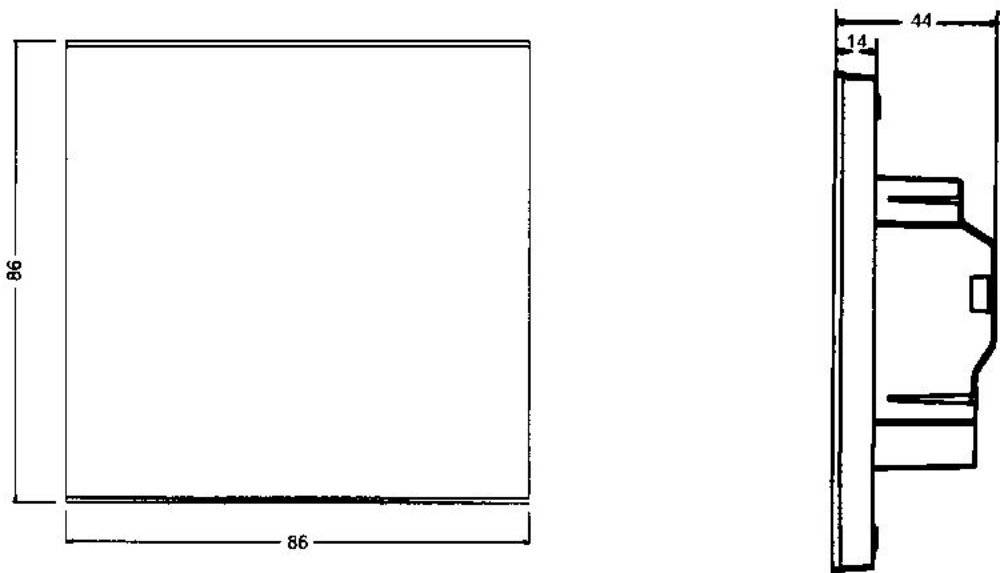


Display symbols:

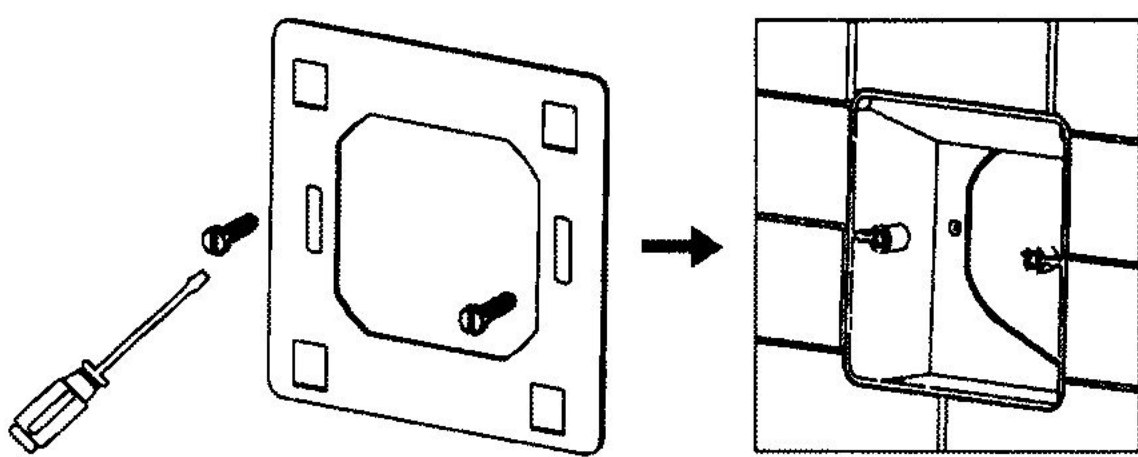


Dimension:mm

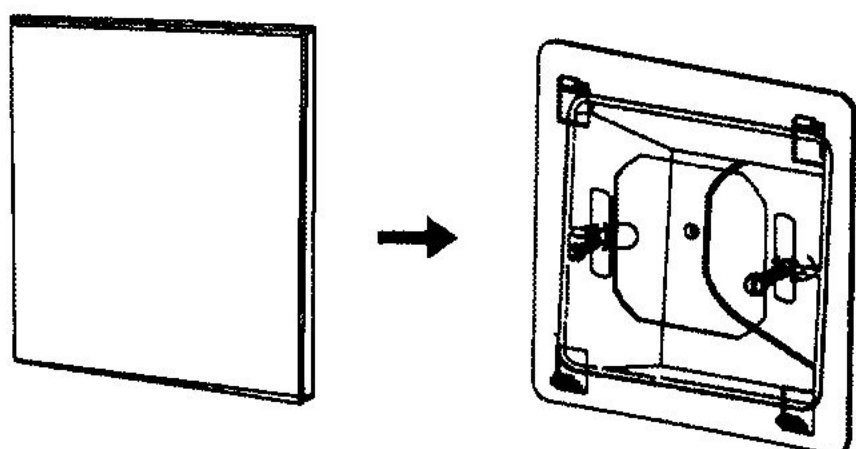


Mounting steps:

1 Mounted the backing plate in the wall socket by screwdriver.



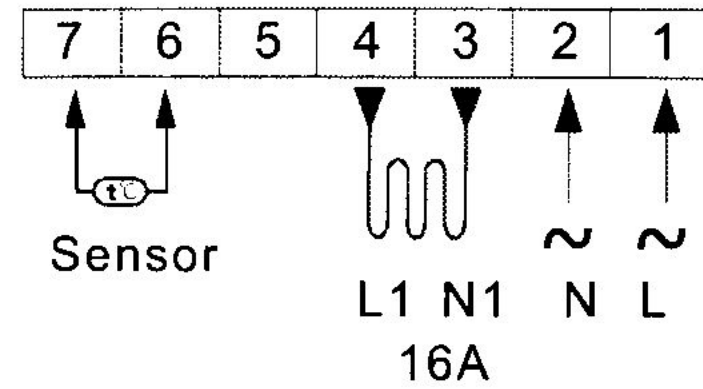
2 After connect wires(see right diagram), the thermostat monte on the backing plate.



Connecting Diagram

Attention:

The thermostat which connect the electric heating device is apply to full load(3200W) heating cable in 2500m height above sea level, and the rated power of external load should be less than or equal to 80%rated power thermostat when in the 2500m to 4200m height.



Sensor Failure

E1:Built-in sensor short-circuited or disconnected.
E2:External sensor short-circuited or disconnected.
When shows E1/E2 error,thermostat must be checked till the error is eliminated.

Installation Advice:

All thermostat installations should be carried out by a fully qualified electrician.

To avoid electrical shock and to prevent damage to the thermostat, disconnect the power supply before beginning work.

Electrical wiring regulations prohibit the thermostats from being installed in bathrooms; if using the thermostat in a bathroom, install the thermostat on an internal wall outside the bathroom as close to matting power supply cables as possible.

IMPORTANT: DO NOT SWITCH ON THE SYSTEM BEFORE THE SUBSTRATE (e.g. CONCRETE) AND FLOOR COVERING (e.g. TILE ADHESIVE) ARE COMPLETELY DRY TO AVOID CRACKING.

Weekly circulation digital programming thermostat with LCD touch screen, which has 6-event everyday. Manual mode and programme mode could be selected. The thermostat is recommended for control of electric heating devices.

Parameter:

- Voltage: 220V/230V
- Current: Max 16A
- Power consumption: 2W
- Setting range: 5~35°C (can adjust to 30~60°C)
- Limitation setting: 5~60°C
(Factory setting: 35°C)
- Switch differential: 0.5-10°C adjustable
factory setting 1°C
- Ambient temperature: -5~50°C
- Protective housing: IP20
- Housing material: anti-flammable PC
- Application: Built-in & floor sensor, floor limit sensor

User operation:

- 1) On/Off. "○"
- 2) At clock-controlled programme mode, press "▲" or "▼" enter to temporary control.
- 3) UP "▲", DOWN "▼" to adjust the temperature value.
- 4) Press clock "⌚" key for 3 seconds then enter to clock set, choose modified item by pressing clock, press UP/DOWN "▲▼" to modify the date and clock, then switch off to quit.
- 5) Press menu "M" to choose manual mode or programme mode.
Programme mode: one week is divided into 7 days with 6 periods in each day.
Manual mode: the thermostat maintains a constant set temperature.
- 6) Press "▼" for 3 seconds to set the child lock, unlocked by pressing "▼" for 3 seconds again.
- 7) Holiday mode: the temperature is set back automatically to the set holiday temperature. Press "▲" for 3 seconds to activate/deactivate the holiday function. (Only work when in power on)

Function:

- | | |
|-----------------------|-----------------------------------|
| ○ On/Off | ☞ Manual mode |
| ⌚ Set the day/time | 🕒 Clock-controlled programme mode |
| ☀ Wake-up, event 1 | 📅 Holiday mode |
| 🏠 Leave(am), event 2 | 🔥 Heating on |
| 🏠 Return(am), event 3 | 🏠 Room temperature |
| 🏠 Leave(pm), event 4 | 📏 Floor temperature |
| 🏠 Return(pm), event 5 | ⚙ Set temperature |
| 🌙 Sleep, event 6 | 🔒 Child lock |

Programme mode:

Press "M" key for 3 seconds to start programming when the thermostat is off. Press "M" key to choose the starting time and set temperature of each program. Press "▲/▼" to adjust the time and temperature.

Key	Event	Symbol	Time	Modify	Temp.	Modify
M ☞	Day 1-5	1 ☀	06: 00	▲ ▼	20°C	▲ ▼
		2 🏠➡	08: 00		15°C	
		3 🏠↩	11: 30		15°C	
		4 🏠➡	12: 30		15°C	
		5 🏠↩	17: 00		22°C	
		6 🌙	22: 00		15°C	
	Day 6-7	1 ☀	08: 00	22°C		
		2 🌙	23: 00	15°C		

Note:

The pre-programmed setpoint (15°C) for event 3&4 is the same as event 2, please reset it according to your individual requirement.

Advanced setting (qualified person preferred):

Usually finished at mounting thermostat.
Press UP/DOWN "▲▼" key for 3 seconds simultaneously when in power off.
Press menu "M" to choose the parameter, then press "▲▼" to adjust.

Item	Parameter	Default
00	Room temperature calibration (-10~10°C)	00
01	Floor temperature calibration (-10~10°C)	00
02	Sensor mode: 00: built-in sensor 01: floor sensor 02: both sensors	00
03	Max. temperature setting (30~60°C/86-99°F)	35°C(95°F)
04	Min. temperature setting (5~15°C/41-59°F)	5°C(41°F)
05	Switch differential setting (0~10°C)	1°C
06	Start anti-frozen function in power off 00: Yes 01: No	00
07	Set day off mode 00: 5/2 day mode 01: 6/1 day mode 02: 7 day mode	00
08	Delay time of output (0~10s)	0
09	Floor limitation setting (5~60°C/41-99°F)	35°C(95°F)
10	Holiday temperature setting (5~20°C/41-68°F)	10°C(50°F)
11	Temperature unit 00: Celcius(°C) 01: Fahrenheit (°F)	00
12	Reset to factory setting (00: No 01: reset)	00