

EBERLE

Electronic Clock Thermostat



Features:

- Very simple operation
- Comfort and setback temperature freely selectable
- 5 operating modes selectable by means of a rotary switch for
 - ⇒ constant comfort temperature (10...50°C)
 - ⇒ constant setback temperature (10...50°C)
 - ⇒ clock mode (automatic mode)
 - ⇒ frost protection (10°C fixed)
 - ⇒ standby state
- Operating voltage 230V, 24V variant possible
- Optionally available with 24-hour or 7-day timer
- Remote sensor (for floor temperature measuring)
- Hinged cover
- Control characteristic incorporates pulse width modulation (PWM)
- Output, 1 x relay, volt-free changeover contact (for heating or cooling)
- In the new EBERLE design 2000

Applications:

Clock thermostat for floor temperature control in conjunction with

- electric floor heating
- hot-water floor heating .
- etc.

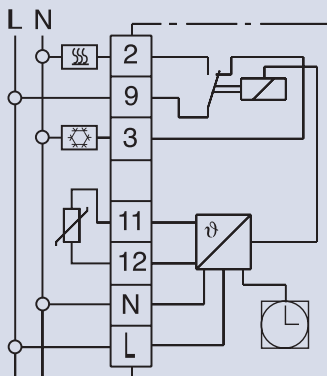
supersedes FRe-UTQ/UWQ 52527/28, FRe UTQ/UWQ 52577/78

Technical data

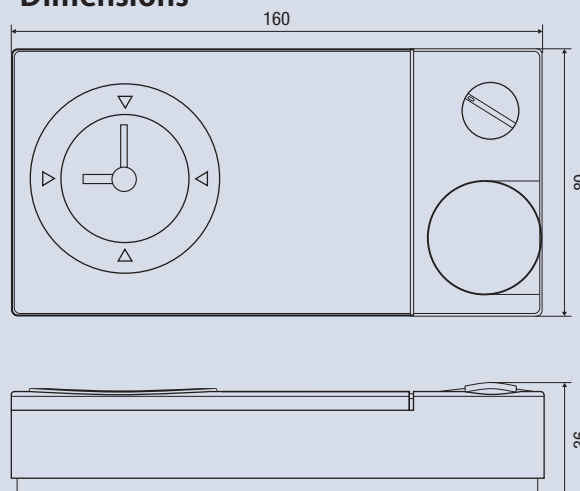
Order designation	easy 3 ft	with 24-hour timer
	easy 3 fw	with 7-day timer
EDP no.	easy 3 ft	516 2705...
	easy 3 fw	516 2706...
Supply voltage	230 V AC (195...253 V) 50/60 Hz	
Temperature setting range:		
comfort	1...5 °C (10...50 °C)	
setback value	1...5 °C (10...50 °C setting below cover)	
frost protection	10 °C fixed	
Mode selector switch	comfort / automatic mode / setback / frost protection / Off (Off = standby state)	
Indicator lamp red	controller calls for heat	
green	setback mode	
Control action	proportional controller (quasi-continuous due to PWM)	
Cycle time	selectable, 15 or 25 min (sum of PWM on and off times)	
Proportional band	approx. 1,5 K	
Temperature sensor for floor temperature sensing	remote sensor F 193 720, or F 193 006 (with housing) extendable to 60 m	
Output	1 x relay, volt-free changeover contact	
Switching current	10 mA...10 A $\cos \varphi = 1$ max. 4 A $\cos \varphi = 0,6$ max. 10 thermal actuators	
Switching voltage	24...250 V AC	
Range narrowing	in adjustment knob	
Timer:		
accuracy	< 10 min/year	
switching time setting	every 15 min with 24-hour timer / every hour with 7-day timer	
power reserve	approx. 100 h	
Dimensions	160 x 80 x 36 mm	

Mounting directly on flush-type box or with adapter frame ARA easy.

Wiring diagram



Dimensions



EBERLE Controls GmbH
Postfach 13 01 53
D-90113 Nürnberg
Telefon 09 11 / 56 93 - 0
Fax 09 11 / 56 93 - 5 36