

## Product properties



Digital clock thermostat with big, illuminated display for floor sensing or room sensing applications including min and max floor temperature limitation function

- Automatic sensing of sensor mode (floor or room)
- Manual ON/OFF by 2-pole main power switch
- Blue back light display
- Built-in timer function
  - 4 selectable pre-programmes
  - 1 user specific programme daily editable in time blocks of 30 minutes
- Adaptive function in order to reach the desired temperature at the desired time
- Booster function for fast heat up (+5 °C for max 2 hours)
- Read-out of actual floor sensor temperature
- Monitoring of floor or room sensor. In the event of failure of an active sensor, the underfloor heating system is switched off
- Possibility to lock the settings eg public buildings

## Operating modes

- Room sensing only
- Floor sensing only
- Room sensing with min/max floor temperature limitation e.g usage under wooden floors

## Technical Data

Supply voltage	230VAC +10%, -15%, 50/60Hz
Main switch	DPDT 16A, 3600W
Relay output- heating cable	230 V, max 13A

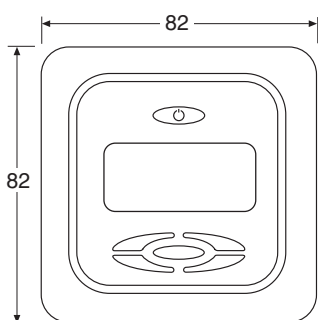
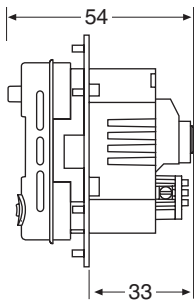
Temperature range floor sensor	+5 °C to +35 °C
Temperature range room sensor	+5 °C to +40 °C
Limitation of range	low +5 °C/ high +35 °C
Ambient temperature-operation	0 °C to +40 °C
Ambient temperature-transport	-20 °C to +50 °C
Accuracy-floor/room sensor	+/- 0,5 °C
Switching hysteresis	0,5 °C

Control modes	Floor or room sensing or room sensing with limiter
Clock function	4 pre-programmes 1 user-specific programme daily programmable each 30 min
Back-up for set values	non-volatile memory
Back-up for time and date	24 hrs

Protection class	IP21
Terminals	max. 2,5 mm <sup>2</sup>

Floor sensor with 3 m cable	NTC, 10K $\Omega$ /25 °C
Max length of floor sensor	100 m, 2 x 1,5 mm <sup>2</sup> (230 VAC cable)
Diameter sensor cable	4 mm
Diameter sensor tip	6 mm, length 32 mm

Dimensions with frame	H 82 x W 82 x D 54 mm
Colour	Polar white RAL 9010
Approvals	Semko, NF, CE



## System Information

Raychem Underfloor Heating thermostats are used with

- T2QuickNet mats 90 W/m<sup>2</sup> and 160 W/m<sup>2</sup>
- T2Red–self-regulating heating cable
- T2Reflecta+T2Red
- T2Blue 10 W/m<sup>2</sup> and T2Blue 20 W/m<sup>2</sup>

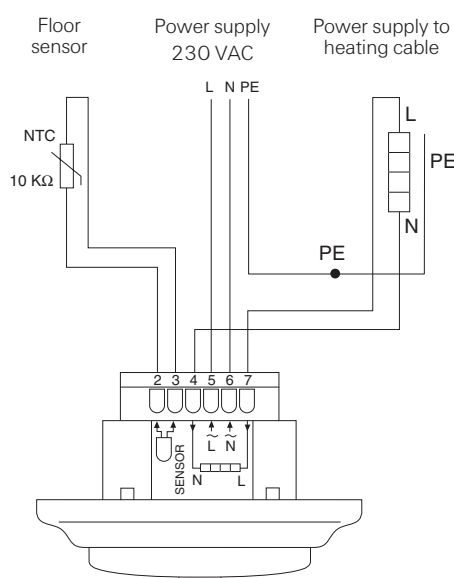
## Compatibility with wall boxes

An extra square front plate for use with square frames is standard provided.

Switch manufacturer	Light switch product range
Busch + Jäger	Reflex SI, Jussi
Eljo	Trend
Elko	RS, L571
Gira	ST55 Standard, E2
Jung	AS
Merten	M-Plan, M-Smart, M-Arc, Atelier, M-Antik, Thermo, M-STar

## Wiring diagram

### Direct connection, one heating cable



## Ordering information

R-TC

Part number 1244-002513

## Accessories

Silver-R-TC silver coloured front parts  
Sensor-N 10K spare floor sensor

Part number 1244-003494  
Part number 1244-002952

Raychem is a registered trademark of Tyco Thermal Controls.

All of the above information, including illustrations, is believed to be reliable. Users however, should independently evaluate the suitability of each product for their application. Tyco Thermal Controls makes no warranties as to the accuracy or completeness of the information and disclaims any liability regarding its use. Tyco Thermal Controls only obligations are those in the Standard Terms and Conditions of Sale for this product and in no case will Tyco Thermal Controls be liable for any incidental, indirect or consequential damages arising from the sale, resale, use or misuse of the product. Tyco Thermal Controls Specifications are subject to change without notice. In addition Tyco Thermal Controls reserves the right to make changes in materials or processing, without notification to the Buyer, which do not affect compliance with any applicable specification.

**tyco**  
Thermal Controls

[www.raychemfloorheating.com](http://www.raychemfloorheating.com)